

LED Underwater Boat Light

User Manual

Part Number:

LED-RUWL-50-DC

Important: Read all instructions prior to installation.

Underwater LED Boat Light

Features

316L Marine Grade Stainless Steel
High Borosilicate Glass
5 Ft Power Wire
Internal Driver ,Wide Voltage DC9~32V
Intelligent Temperature Control System
48 Cree LED, Five Output Modes
Waterproof IP68

Specifications

| LED Underwater Boat Light | |
|---------------------------|---|
| Input Voltage | 9 ~ 32 VDC |
| Current Draw | 3.82 A @ 13.5VDC |
| Total Power Consumption | 51.6W @ 13.5VDC |
| Operating Temperature | -22 F~122 F (-30 C~50 C) |
| Available Colors | Blue, White, Dual Color |
| LED Lifetime | 50,000 Hours |
| LED Brand | CREE |
| Warranty | 2 Years |
| Dimensions | Diameter 3.8in (96mm), Depth 1.2in (31mm) |
| Weight | 1.54lb (0.7kg) |

Parts Included

Underwater Boat Light 1- (LED-RUWL-50-DC)
3- M5 Machine screws
3- M5 Flat washers
3 - M5 Locking Nuts
3 - M5 Self Tapping screws
3- Neoprene washers

Recommended Tools (not included)

Drill and Drill Bits
#2 Phillips Screwdriver
Heavy Grit Sandpaper
Pencil (**Wax Pencil recommended for fiberglass**)
Isopropyl/Denatured
Alcohol Lint Free Cloths
Masking Tape
Marine Sealant

Caution

Corrosion of any metal will be especially aggressive if installation is improper, if bonding is improper or if stray currents are active in the vicinity of the boat. We shall not be liable for defects related to such corrosion. Should your product prove defective during the warranty period, promptly notify us, and return product, freight prepaid, We will, at its option, repair or replace, the product or defective portion without charge for parts or labor, or, refund purchase price. Products repaired or replaced under this warranty shall be warranted for the unexpired portion of the warranty applying to the original product(s). Any liability for consequential and incidental damages is expressly disclaimed. Our liability in all events is limited to, and shall not exceed, the purchase price paid

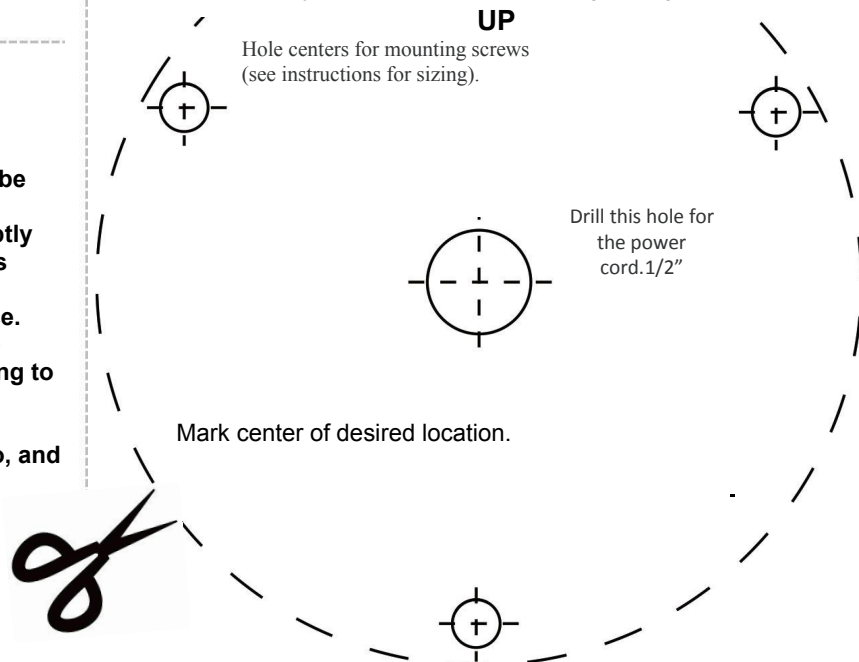


Installation Instructions

TIP: Know your hull; most common type is fiberglass. Wood, metal and carbon fiber are other less common hull types. For metal or carbon fiber hull, first be sure to mount an insulating material between metal or carbon fiber surfaces and lights to prevent galvanic corrosion. If uncertain about type of hull, please contact boat manufacturer for assistance.

1. Determine desired mounting location on boat's transom.

Recommended mounting depth between 6-8" below waterline for best effect. Be sure that mounting location is free of any obstructions before drilling through hole.



LED Underwater Boat Light

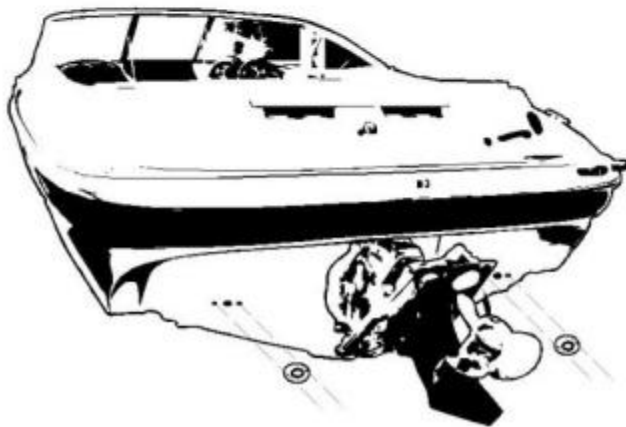
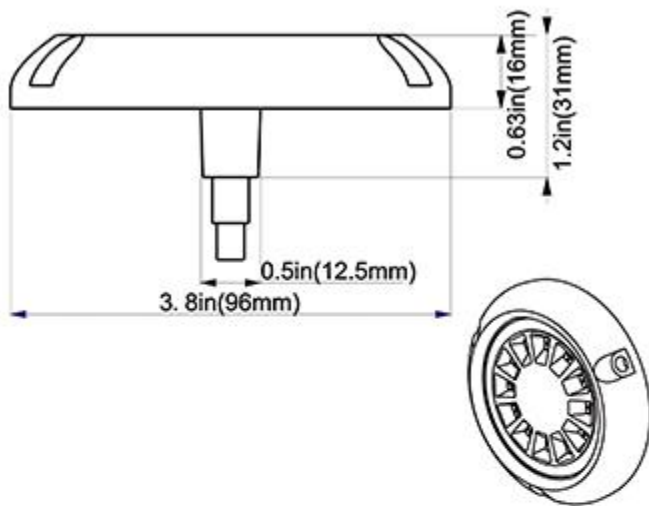
User Manual

Part Number:
LED-RUWL-50-DC

Important: Read all instructions prior to installation.

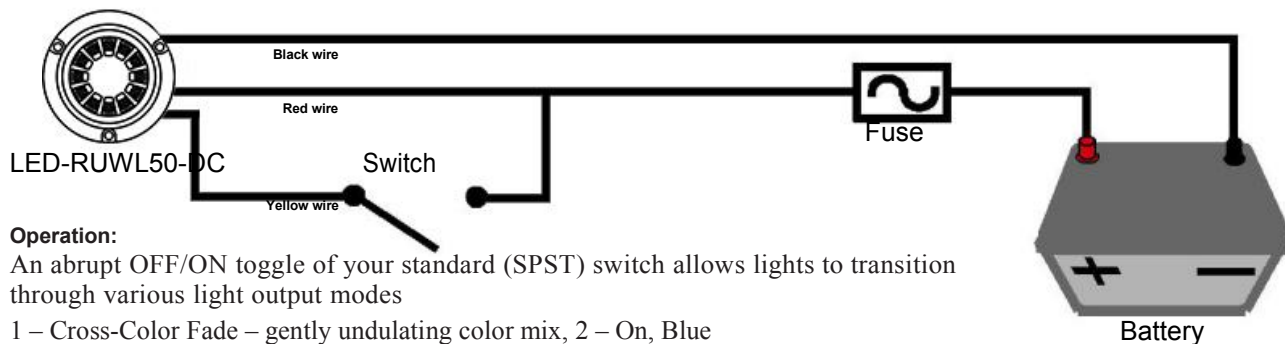
Underwater LED Boat Light

Installation Instructions (continued)



2. Drill 1/2" through hole in center of desired location and feed power wire through hole into boat. Hold light flush against transom, mark location for mounting screws, then remove light. Drill pilot holes for mounting screws to prevent cracking in fiberglass hulls.
3. Use heavy grit sandpaper to rough up the surface and to remove any debris from drilling. Clean area using alcohol and lint free cloth.
4. Apply uniform layer of marine sealant to back side of light, especially around mounting holes and wire connection. Also apply marine sealant to transom surface around pilot and through holes.
5. Feed power wire back through 1/4" hole into boat and press light against transom using uniform pressure. Install mounting screws with included neoprene washers and tighten light to transom.
6. Use sealant that has squeezed out from beneath light to create complete seal around outer edge of light. Remove any excess sealant.
7. Connect positive wire to positive battery terminal through fuse to switch (see diagram below). Connect negative wire to negative battery terminal. Marine grade heat shrink butt connectors and ring terminals are recommended.
8. Ensure light is solidly attached to hull and that marine sealant has fully cured prior to putting boat in water. Lights may be tested briefly while out of water.

Wiring Diagram



Operation:

An abrupt OFF/ON toggle of your standard (SPST) switch allows lights to transition through various light output modes

- 1 – Cross-Color Fade – gently undulating color mix, 2 – On, Blue
- 3 – On, White, 4 – On, White and Blue, 5 – Flashing, two color